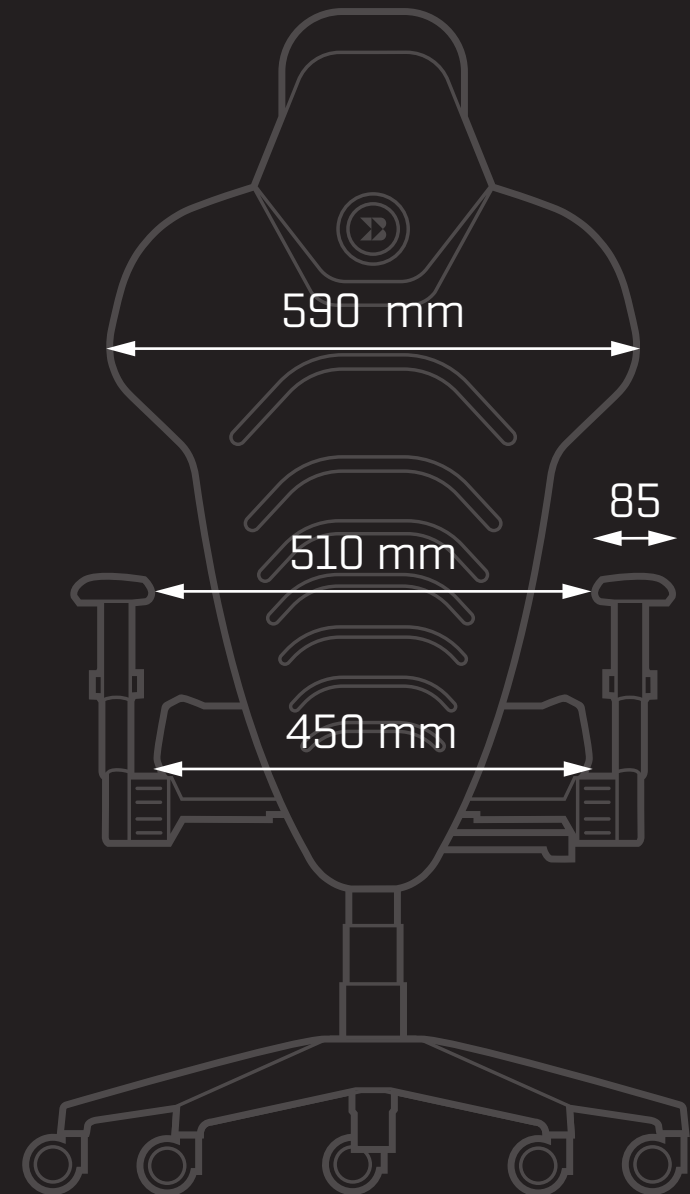
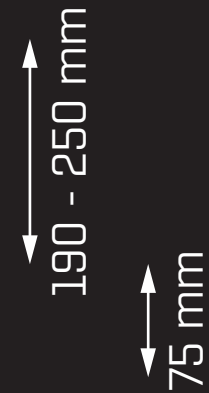
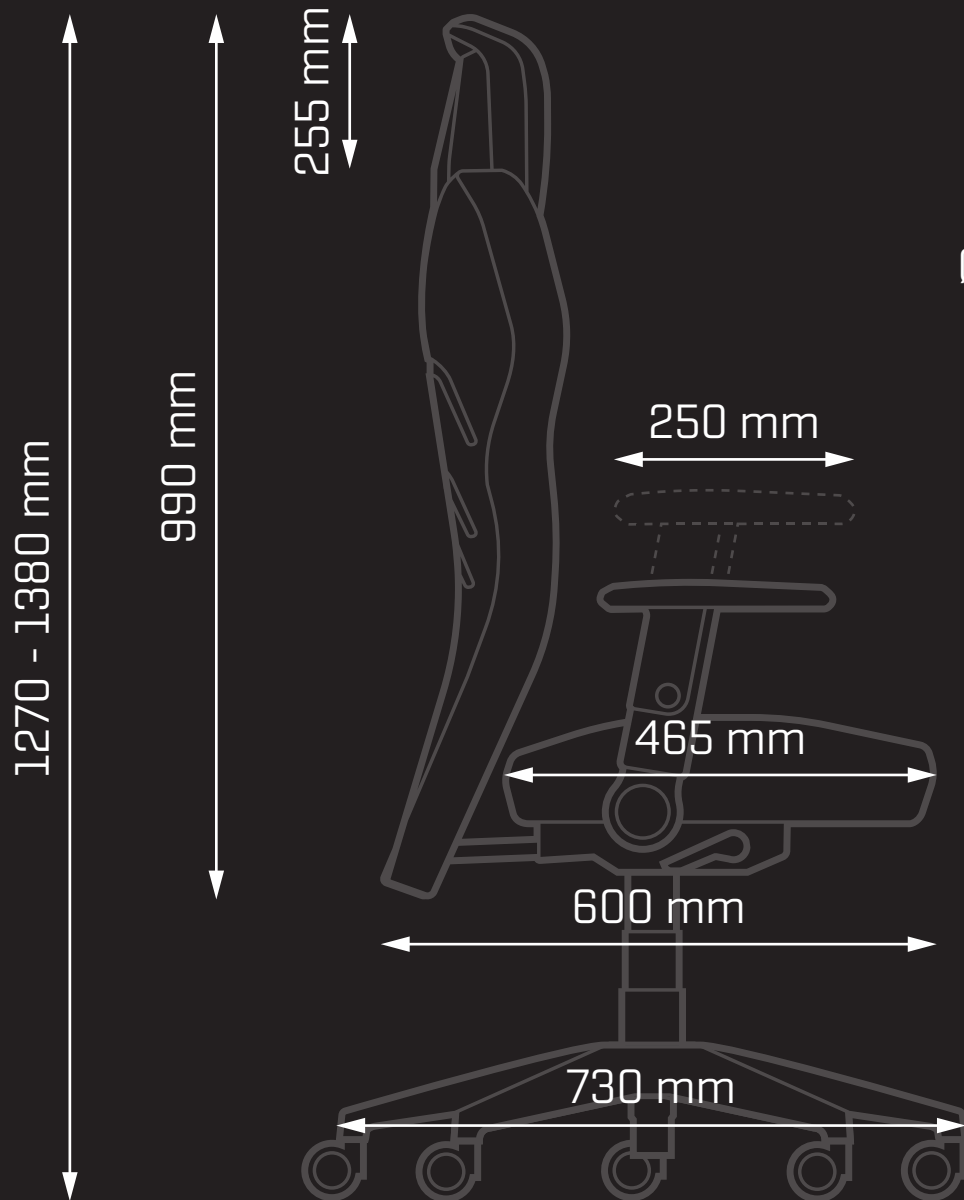




BACKFORCE



opening angle 90,8° - 109,2°  
foam density approx. 62 kg/m<sup>3</sup>