



BACKFORCE

CONE

∅ 11 mm



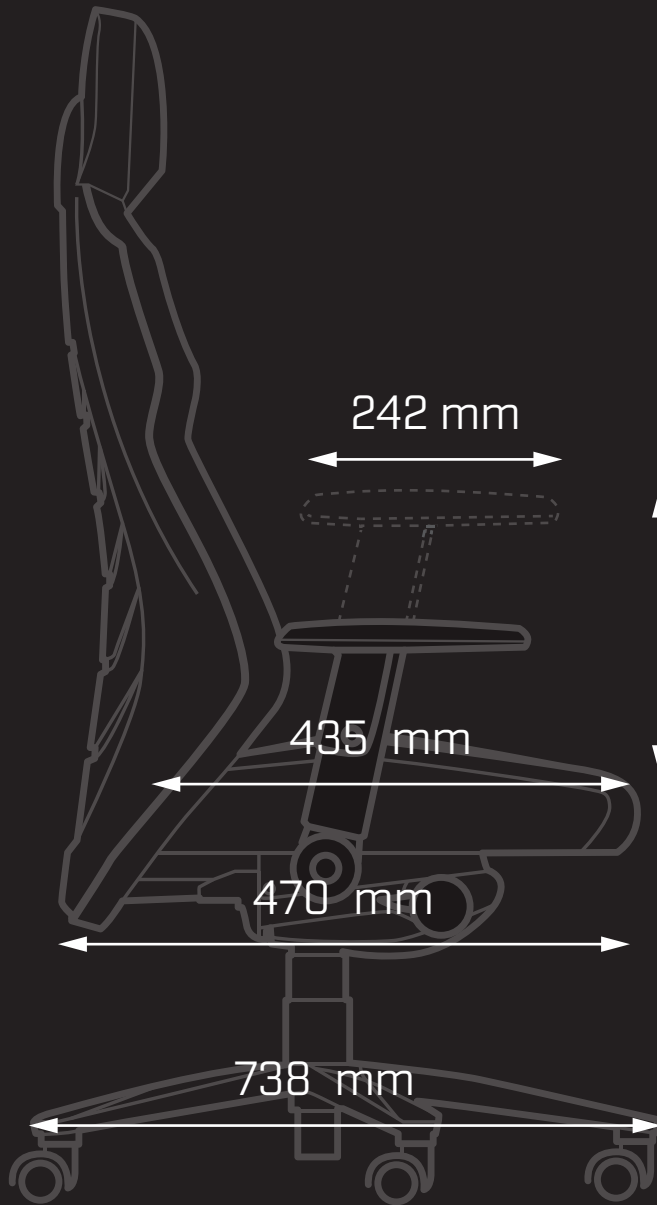
∅ 65 mm



1300 - 1410 mm



970 mm



242 mm



435 mm



470 mm



738 mm



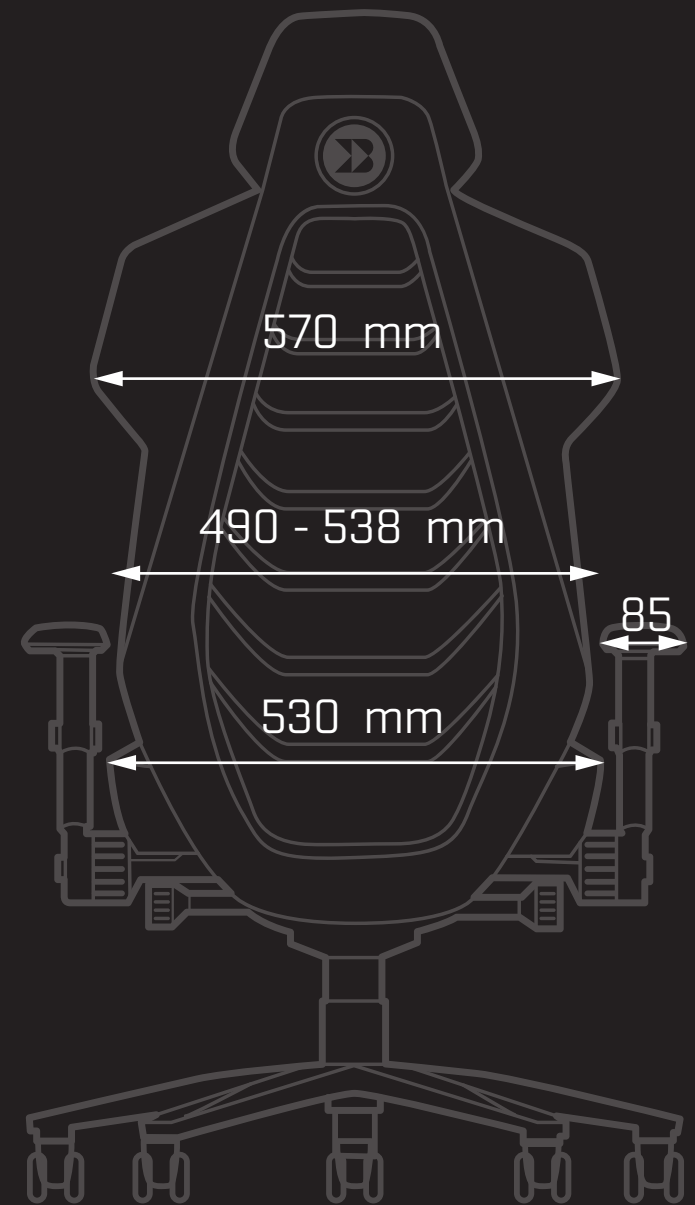
195 - 260 mm



75 mm



420 - 530 mm



570 mm



490 - 538 mm



530 mm



85 mm



opening angle 25°  
foam density approx. 65 kg/m<sup>3</sup>